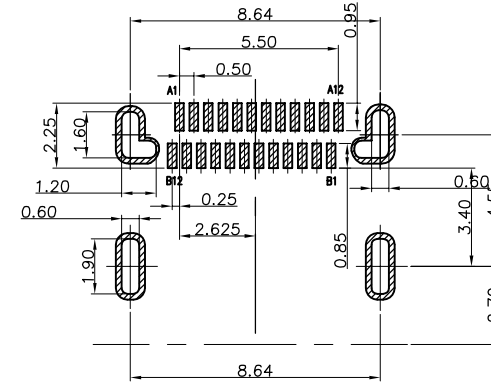
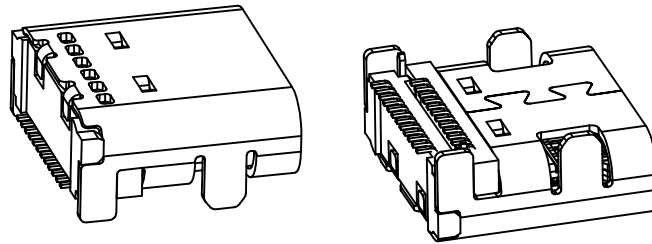
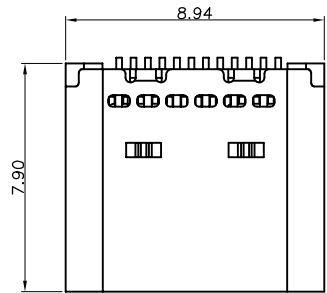
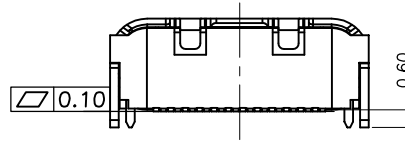
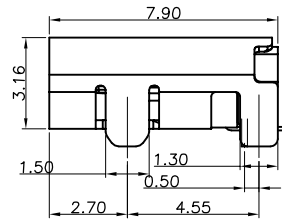
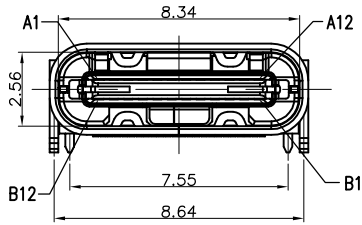


符合"DLK环境管理物质技术标准",符合USB协会规范要求

工程变更通知单 ECN(DCN) NO.	版本 REV	日期 DATE	说明 DESCRIPTION	改变 CHANGE	承认 APPRO.
KSECN17061	A	20171017	NEW	—	—



RECOMMENDED P.C.B. LAYOUT
TOLERANCE UNSPECIFIED ±0.05mm



NOTES:

SPECIFICATION:

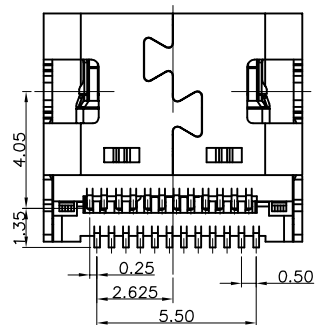
- CURRENT RATING: 5A MIN FOR VBUS
0.25A MIN FOR OTHER
- VOLTAGE: 20 V MAX
- TEMPERATURE RANGE: -40 °C ~ 85 °C
- CONTACT RESISTANCE: 40 MILLIONHM MAX
- INSULATION RESISTANCE: 100 MEGOHMS MIN.
- INSERTION FORCE : 5N~20N
- UNMATING FORCE: 8N~20N
- DURABILITY: 10,000 CYCLES

MATERIAL:

- HOUSING: LCP, GLASS FIBER FILLED, BK
- CONTACT: BRASS.
- GUARD PLATE: STAINLESS STEEL,
- SHIELD: STAINLESS STEEL.

FINISH:

- CONTACT : 30u" GOLD PLATING ON CONTACT AREA
120u" MIN. TIN(MATTE) PLATING ON
SOLDERTAIL AREA
80u" MIN. NICKEL UNDERPLATING OVER ALL
SHELL: PLATED NICKEL PLATING



A1	GND	B12	GND
A2	SSTXP1	B11	SSRX1
A3	SSTXN1	B10	SSRXN1
A4	VBUS	B9	VBUS
A5	CC1	B8	SBU2
A6	DP1	B7	DN2
A7	DN1	B6	DP2
A8	SBU1	B5	CC2
A9	VBUS	B4	VBUS
A10	SSRXN2	B3	SSTXN2
A11	SSRX1	B2	SSTXP2
A12	GND	B1	GND
PIN	SIGNAL NAME	PIN	SIGNAL NAME

GENERAL TOLERANCE
UNLESS OTHERWISE NOTED

Angle	±1°
X.	±0.30
.X	±0.25
.XX	±0.15
.XXX	±0.10
A4	

德力康电子科技有限公司
DLK DELIKANG ELECTRONICS TECHNOLOGY CO.,LTD

C 名称 TITLE	USB 3.1 TYPE-C/F SMT			
档案名称 FILE NAME.	C-U3C47-00-00	料号 PART NO.	U3C47A-24BXXRX0	
DRAWING	yh.wang	CHECKED		APPROVED 严成旺
UNIT:	mm	SCALE	1:1	SHEET: 1 of 1