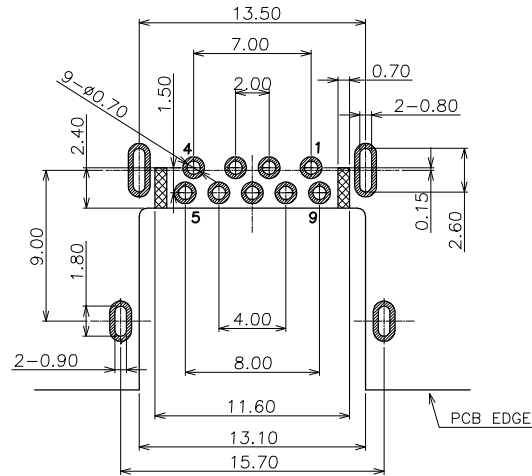
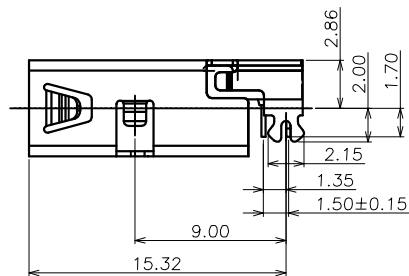
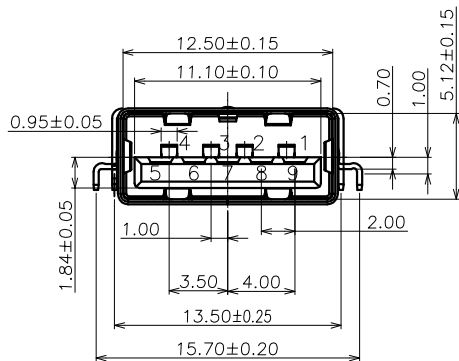
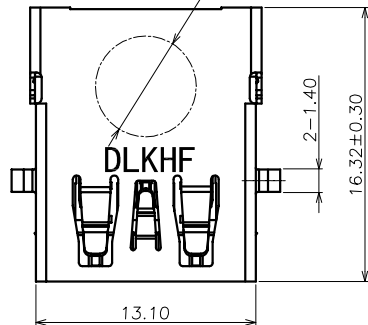


符合"DLK环境管理物质技术标准"

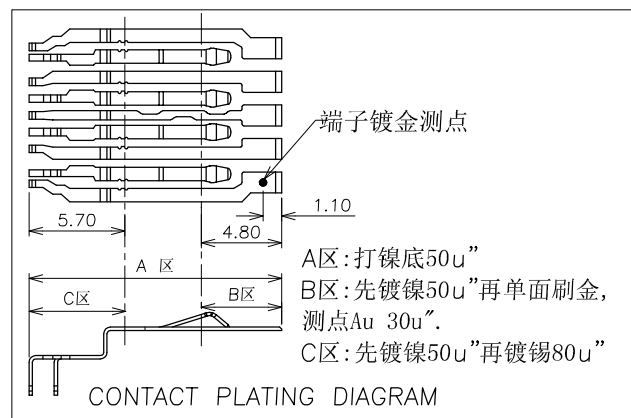
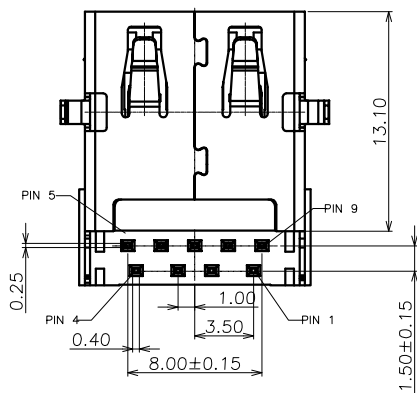
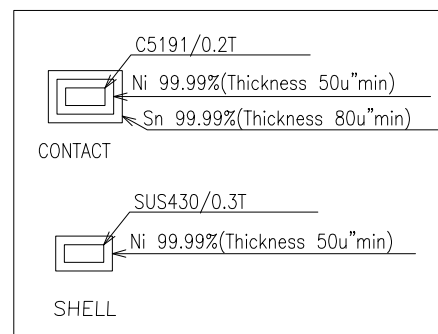
符合USB3.0协会规范标准"

| | | | | | |
|-------------------------|-----------|------------|-------------------|--------------|--------------|
| 工程变更通知单 ECN(DCN) NO. | 版本 REV | 日期 DATE | 说明 DESCRIPTION | 变更 CHANGE | 核准 APPRO. |
| KSECN18008 | A | 20180124 | NEW RELEASE | — | — |



RECOMMENDED PCB LAYOUT (TOP VIEW)

电镀规格:



德力康电子科技有限公司
DLK DELIKANG ELECTRONICS TECHNOLOGY CO.,LTD

GENERAL TOLERANCE UNLESS OTHERWISE NOTED

| | |
|-------|-------|
| Angle | ±5° |
| X. | ±0.50 |
| .X | ±0.38 |
| .XX | ±0.25 |
| .XXX | ±0.10 |

| | | | | |
|--------------------|-----------------------|-----------------|--------------------|---------------|
| C 名称 TITLE: | USB 3.0 AF RVS CL-0.7 | | | |
| 档案名称 FILE NAME: | C-U3A20-00-08 | 料号 PART NO.: | U3A20D-09LM5RN28HF | |
| DRAWING | 王永辉 | CHECKED | — | APPROVED 严成旺 |
| UNIT: | mm | SCALE | 1:1 | SHEET: 1 of 1 |

| | | | | |
|-----|---------|------|-------------|--------------|
| 3 | CONTACT | 9 | C5191 | Au PLATED |
| 2 | SHELL | 1 | SUS430 | Ni PLATED |
| 1 | HOUSING | 1 | PA9T | UL94V-0 BLUE |
| NO. | ITEM | Q'TY | DESCRIPTION | FINISH |