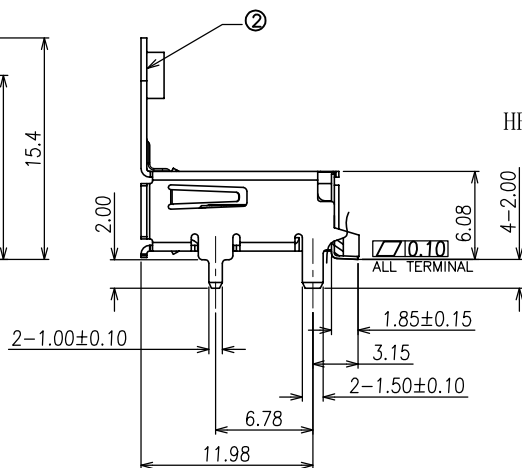
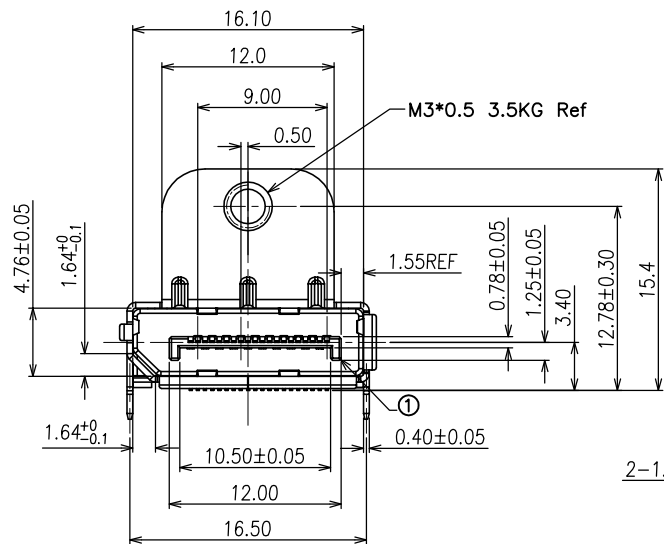
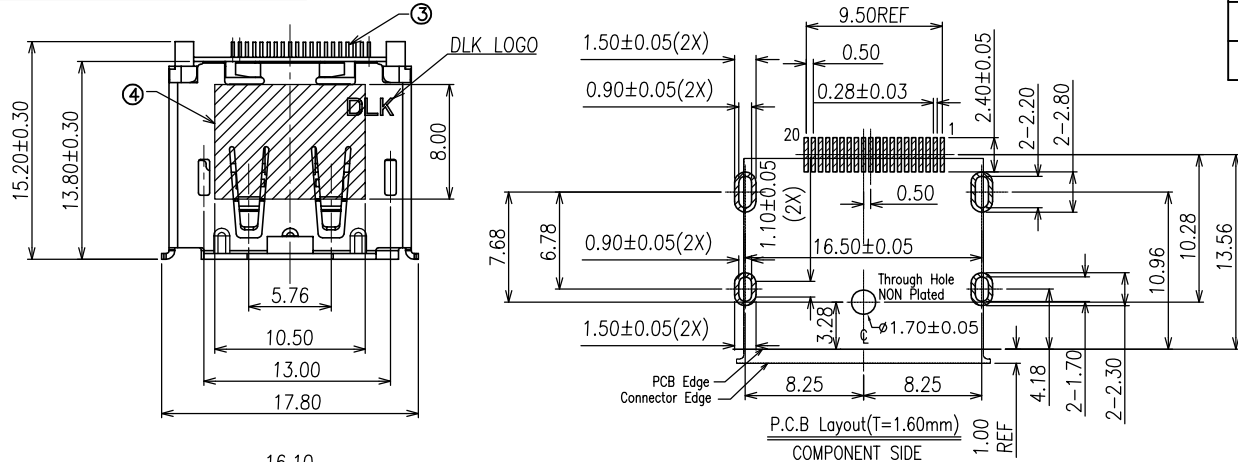


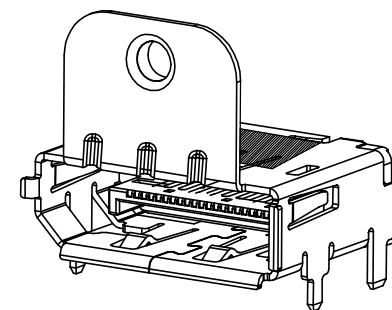
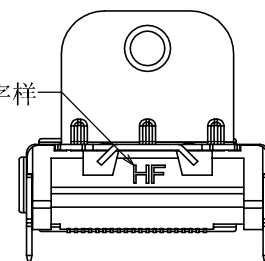
符合"DLK环境管理物质技术标准"

符合VESA协会规范标准"

工程变更通知单 ECN(DCN) NO.	版本 REV	日期 DATE	说明 DESCRIPTION	变更 CHANGE	核准 APPRO.
KSECN17055	A	20171030	NEW RELEASE	—	—



HF无卤字样



DPT22 A-20 B \*\* Y N1 3  
① ② ③ ④ ⑤ ⑥ ⑦

- ① PRODUCTION CODE (产品编码) :  
DPT22: DisplayPort
- ② CHARACTER (特征) :  
A: R/A SMT TYPE
- ③ POSITION (位数) :  
20:20PIN
- ④ COLOR OF HOUSING(本体颜色) :  
B:BLACK COLOR
- ⑤ PLATING OF CONTACT(端子电镀) :  
M1 :Au 1u" min AND MATTE TIN 100u"Min  
M2 :Au 5u" min AND MATTE TIN 100u"Min  
M3 :Au 10u" min AND MATTE TIN 100u"Min  
M4 :Au 15u" min AND MATTE TIN 100u"Min  
M5 :Au 30u" min AND MATTE TIN 100u"Min
- ⑥ PACKAGE(包装) :  
Y :TRAY PACKAGE
- ⑦ PLATING OF SHELL(铁壳电镀) :  
N1:NI PLATD

GENERAL TOLERANCE  
UNLESS OTHERWISE NOTED

Angle	±2°
.X	±0.38
.X	±0.30
.XX	±0.20
.XXX	±0.15



德力康电子科技有限公司  
DLK DELIKANG ELECTRONICS TECHNOLOGY CO.,LTD

C 名称 TITLE:	DisplayPort SMT Type 12.78H			
	档案名称 FILE NAME.	C-DPT22-00-03	料号 PART NO:	DPT22A-20B**YN13
DRAWING	王永辉	CHECKED	—	APPROVED 严成旺
UNIT:	mm	SCALE	1:1	SHEET: 1 of 1

NO.	ITEM	Q'TY	DESCRIPTION	FINISH
4	MYLAR	1	MYLAR	
3	CONTACT	20	COPPER ALLOY	PLATED Au
2	SHELL	1	COPPER ALLOY	PLATED NI
1	HOUSING	1	LCP	UL94V-0,Black