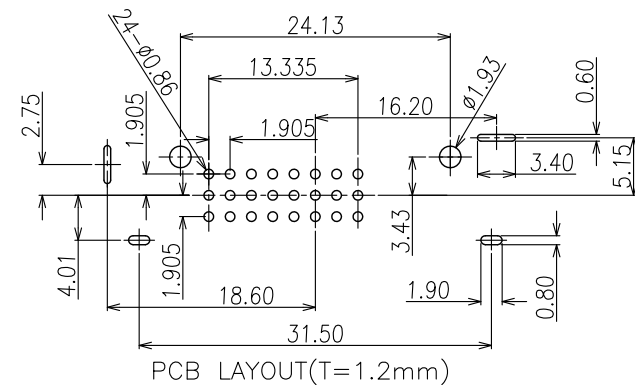
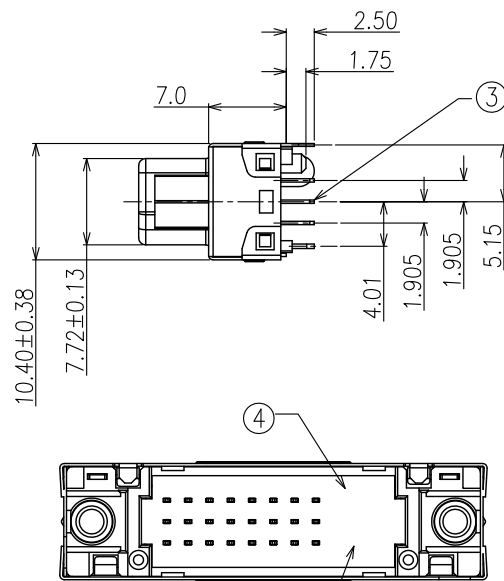
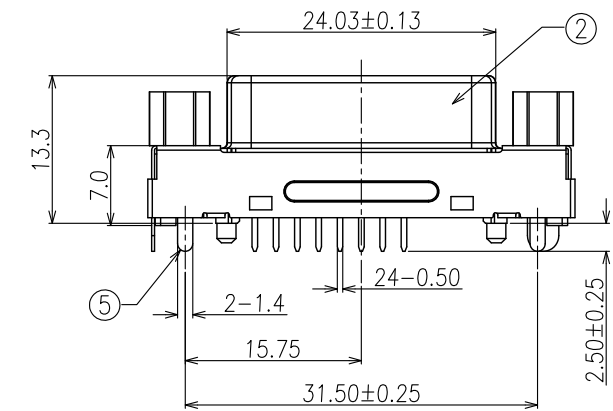
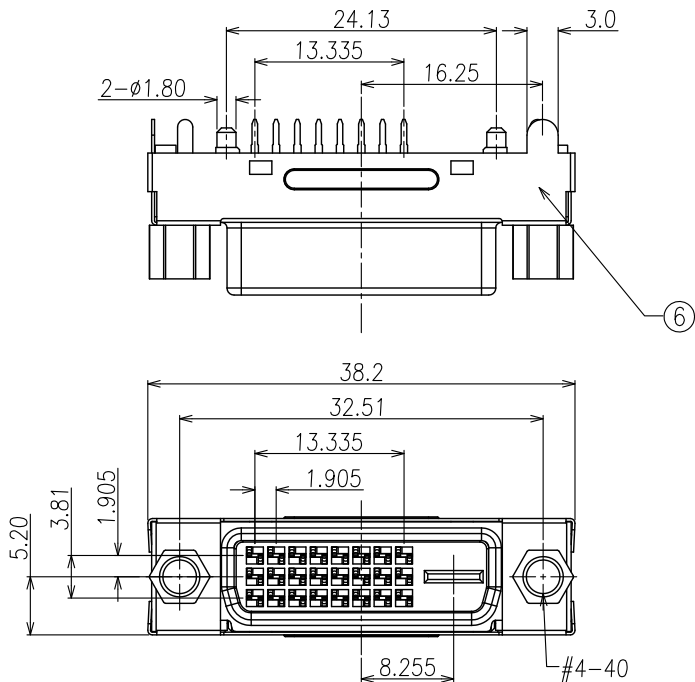


符合DLK环境管理物质技术标准

工程变更通知单 ECN(DCN) NO.	版本 REV	日期 DATE	说明 DESCRIPTION	改变 CHANGE	承认 APPRO.
KSECN16020	A	20160323	新开发	—	—



6	SHIELDING CASE	1	SPTF	NI PLATED
5	BOARD LUCK	2	SPCC	Tin PLATED
4	COVER	1	PBT	UL94V-0, BLACK
3	CONTACT	24	C2680-H	Au PLATED
2	SHELL	1	SPCC	Ni PLATED
1	HOUSING	1	PA66	UL94V-0, GRAY
NO.	ITEM	Q'TY	DESCRIPTION	FINISH

GENERAL TOLERANCE UNLESS OTHERWISE NOTED	
Angle	±1°
X.	±0.38
.X	±0.30
.XX	±0.25
.XXX	±0.10
UNIT: mm	
A4	



德力康电子科技有限公司
DELIKANG ELECTRONICS TECHNOLOGY CO.,LTD

C 名称 TITLE:	DVI-D V/T 7H EMI CONN.			
	档案名称 FILE NAME:	C-DVI4E-00-0A	料号 PART NO.:	DVI4EC-24HM1YNA4
DRAWING	王永辉	CHECKED	APPROVED	严成旺
UNIT:	mm	SCALE	1:1	SHEET: 1 of 1