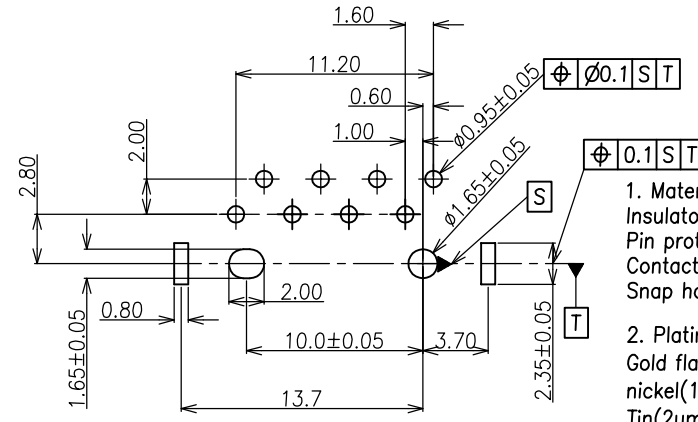
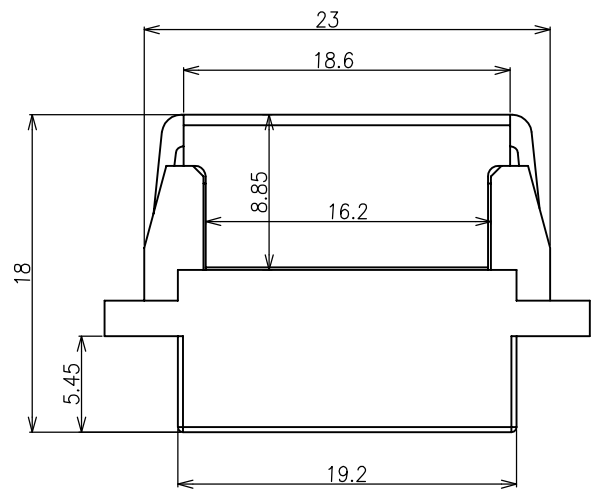


符合"DLK环境管理物质技术标准"

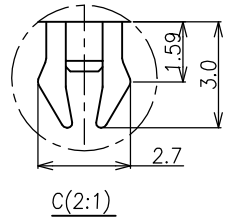
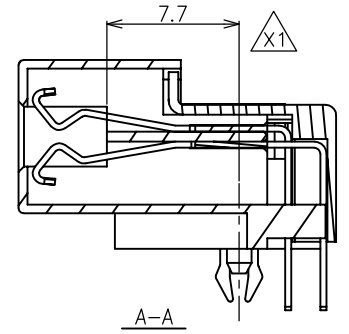
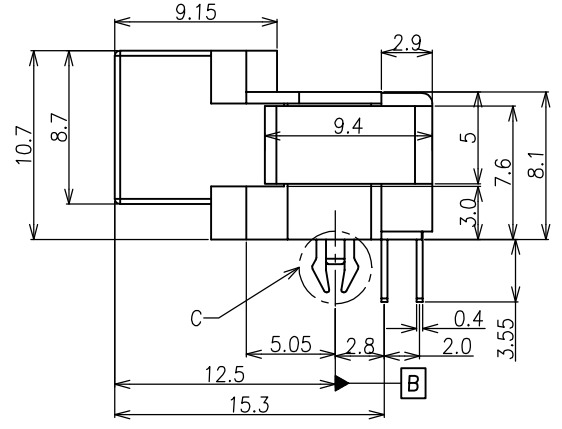
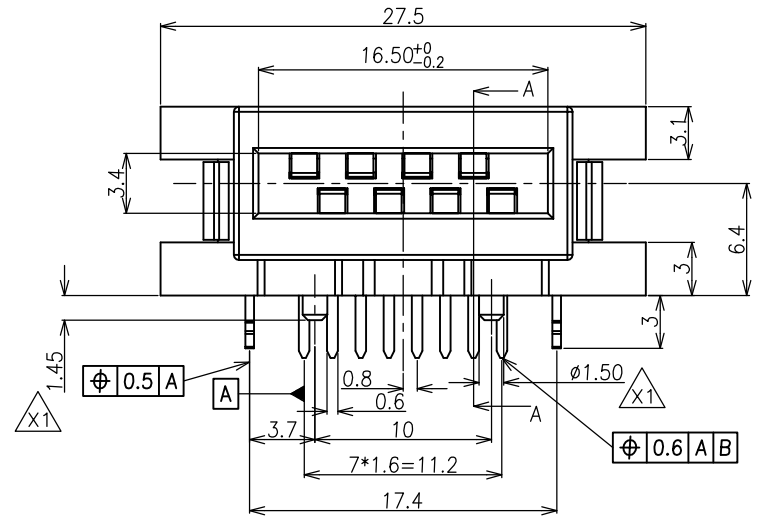
工程变更通知单 ECN(DCN) NO.	版本 REV	日期 DATE	说明 DESCRIPTION	改变 CHANGE	承认 APPRO.
	X0	20160519	NEW RELEASE	—	—
	X1	20160523	增加A-A剖视图并加标尺寸		



PCB LAYOUT T=1.60mm(TOP VIEW)

- Material:
Insulator: Polyester Black UL94V-0
Pin protection cap: Polyester Black UL94V-0
Contacts: Phosphor Bronze
Snap hooks: Brass
- Plating:
Gold flash(0.08um) over 0.66um NiPd12 over nickel(1.27um~2.5um)in contact area
Tin(2um)over Nickel(1.27um)in contact solder area
Tin(2um) over Nickel(1.27um)in boardlocks solder area

- Packaging:
Tray packing



GENERAL TOLERANCE UNLESS OTHERWISE NOTED		德力康电子科技有限公司 DLK DELIKANG ELECTRONICS TECHNOLOGY CO.,LTD			
Angle	±5°	C 名称 TITLE: B TO B 90D 10.7H 8PIN Female CONNECTOR			
X.	±0.50	档案名称 FILE NAME: C-BTB22-00-00		料号 PART NO: BTB22D-08BM5YN00	
.X	±0.38	DRAWING		CHECKED	APPROVED
.XX	±0.25	UNIT: mm		SCALE: 1:1	SHEET: 1 of 1
.XXX	±0.15				
A4					