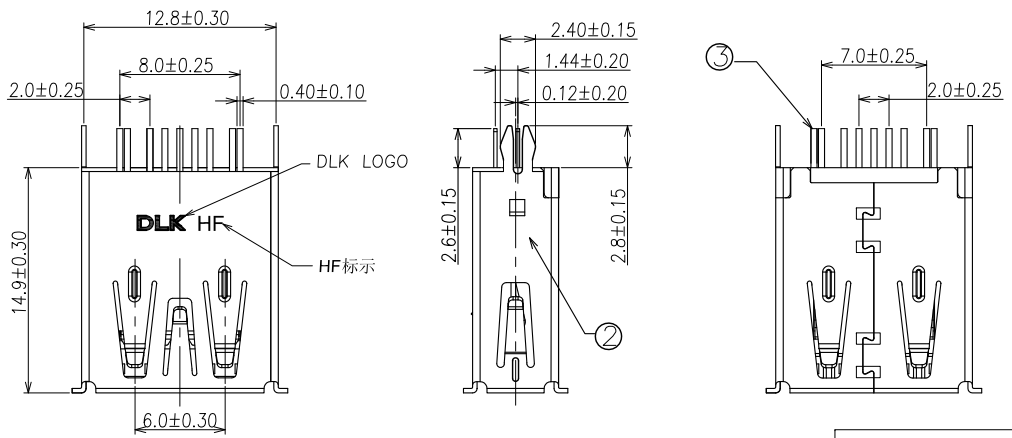


符合“DLK环境管理物质技术标准”

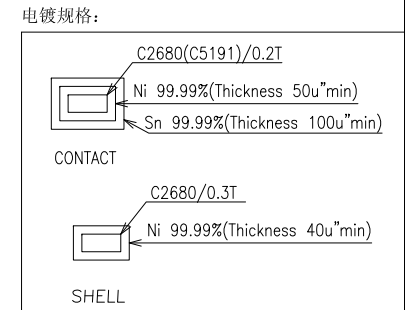
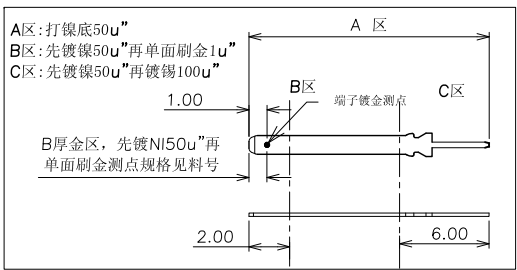
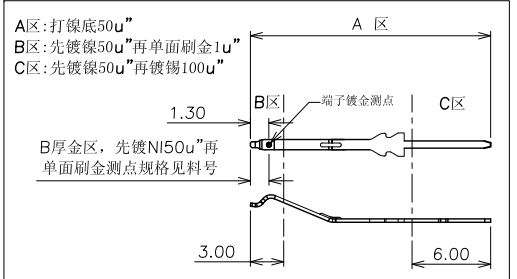
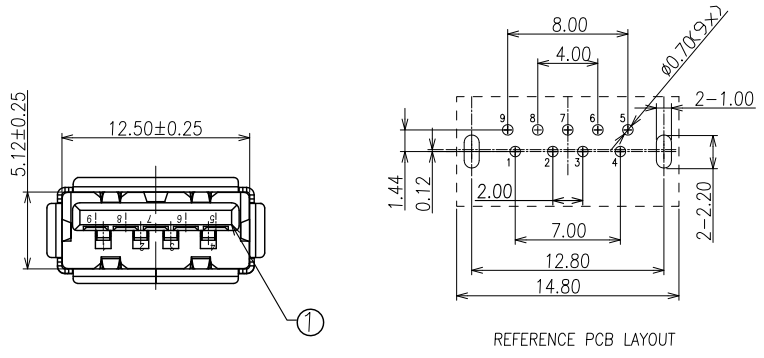
符合USB3.0协会规范标准”

工程变更通知单 ECN(DCN) NO.	版本 REV	日期 DATE	说明 DESCRIPTION	变更 CHANGE	核准 APPRO.
KSECN16076	A	20161215	NEW RELEASE	—	—
KSECN17031	B	20170601	增加U3A27C-09BM5YN20HF料号/△*1	王永辉	严成旺



U3A27 C-09 \* \*\* Y N2 0 HF

- ① ② ③ ④ ⑤ ⑥ ⑦
- ① PRODUCTION CODE (产品编码):  
U3A27: USB 3.0 AF 180°
- ② CHARACTER (特征):  
C:DIP TYPE
- ③ POSITION (位数):  
09: 09PIN
- ④ COLOR OF HOUSING(本体颜色):  
Y:YELLOW  
B:BLACK
- ⑤ PLATING OF CONTACT(端子电镀):  
M1 : Au 1U" AND MATTE TIN 100U" PLATED  
M4 : Au 15U" AND MATTE TIN 100U" PLATED  
M5 : Au 30U" AND MATTE TIN 100U" PLATED
- ⑥ PACKAGE(包装):  
Y :TRAY PACKAGE
- ⑦ PLATING OF SHELL(铁壳电镀):  
N2 :Ni plated



**德力康电子科技有限公司**  
DLK DELIKANG ELECTRONICS TECHNOLOGY CO.,LTD

GENERAL TOLERANCE UNLESS OTHERWISE NOTED	
Angle	±2°
X.	±0.38
.X	±0.25
.XX	±0.20
.XXX	±0.10

C	名称 TITLE:	USB 3.0 AF 180~ 14.9H DIP			
	档案名称 FILE NAME:	C-U3A27-00-01	料号 PART NO.:	U3A27C-09***YN20HF	
	DRAWING	王永辉	CHECKED	APPROVED	严成旺
	UNIT:	mm	SCALE	1:1	SHEET: 1 of 1

NO.	ITEM	Q'TY	DESCRIPTION	FINISH
3	CONTACT	09	C2680/C5191	Au PLATED
2	SHELL	1	C2680	Ni PLATED
1	HOUSING	1	PBT 无卤	UL94V-0